



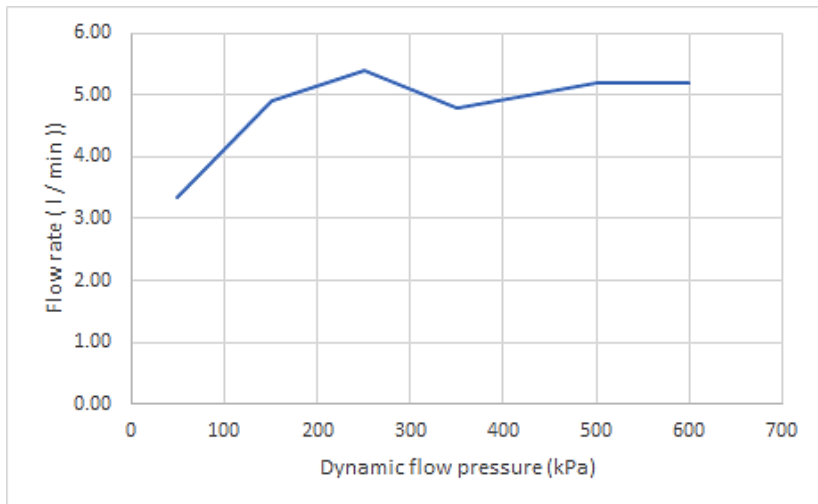
PROJECT		REF		REV	ITEM CODE	
LOCATION		DATE			PAGE	

SANITARY WARE SPECIFICATION SHEET

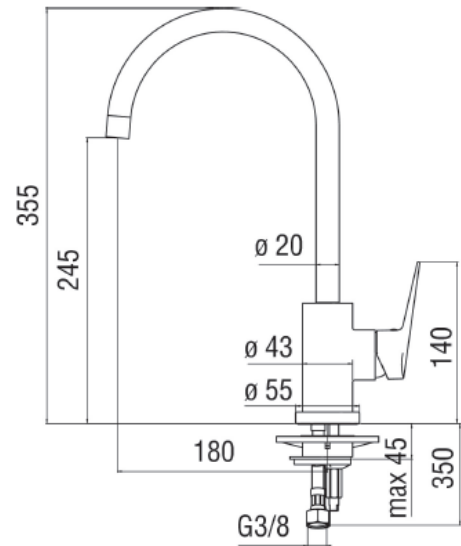
Item Descriptions	Nobili (Italy) "Blues" Single lever sink mixer with swivel spout, \varnothing 3/8" stainless steel flexible hoses ; Nominal flow rate 5L/min in WELS Grade 1 ; Registration No. TM 19-0318	<p>Illustration/ Drawing</p>
Standard	QAVR (Italy)	
Dimensions	L180 x W55 x H355 mm	
Model	BS101133 CR (Mixer) 44.3051.000 (Aerator)	
Finish	Chrome Plated	
Manufacturer	Nobili (Italy)	
Source	Acme Sanitary Ware Co. Ltd Mr. Eric Wong/ Mr. Don Yuen	
Contact Tel/Fax	(852) 2388-7171 / (852) 2710-8012	
E-mail	acme@acmesanitary.com.hk	
Website	www.acmesanitary.com.hk	

SPECIFICATIONS

- Single control
- Chrome
- 360° swivel spout
- Anti limescale aerator M 16 x 1
- \varnothing 3/8" stainless steel flexible pipe
- 50% two step cartridge for water saving



Dynamic flow pressure (kPa)	50	150	250	350	500	600
Flow rate (l/min)	3.35	4.90	5.40	4.80	5.20	5.19



* All information of the above is for the reference only. No prior notice is made if any changes.

註冊號碼 (Registration No.): TM 19-0318




自願參與用水效益標籤計劃 - 水龍頭
Voluntary Water Efficiency Labelling Scheme - Water Taps



茲證明
This is to certify that
Acme Sanitary Ware Co., Ltd.

將下列水龍頭在本計劃內註冊：
has registered the following water tap under this scheme :

- 牌子 / Brand : Nobili
- 型號 / Model : BS101133CR+44.3051.000
- 種類 / Type : Mixing
- 原產地 / Country or Region Origin : Italy

在用水效益標籤上展示的標誌 <i>Symbolic Presentation on the Water Efficiency Label</i>	: 	滴水點 <i>Water droplet(s)</i>
用水效益級別 <i>Water Efficiency Grade</i>	: 1	
耗水量 <i>Water Consumption</i>	: 5	公升/分鐘 <i>litres/minute</i>

簽發日期:
Date of Issue: 17 July 2019

 水務署
Water Supplies Department



水務署署長(張業駒代行)
for Director of Water Supplies



Waterworks Department

七號入境事務大樓 48 樓

40 Gloucester Tower, 7 Gloucester Road, Wan Chai, Hong Kong

本署檔號 : (2) in WSD 3321/19 Pt.1 T/J(264)
Our ref.
來函檔號 :
Your ref.

電話 :
Tel.
傳真 : 2824 0578
Fax.

28 March 2019

Approval of "NOBILI" Sink Mixers (General Acceptance No. C20190227)

Your letter ref. L006/2019 dated 15 March 2019 refer.

Brand	Model No.	Nutek Test Report Ref.	Issuance Date
Nobili	FL96133CR	J23734A	4 Jan 2019
Nobili	BS101113/1CR	J23738A	18 Jan 2019
Nobili	BS101133CR	J23739A	7 Jan 2019

Having considered the above test reports issued by the Nutek Systems (HK) Ltd., this Authority accepts that the fittings described below comply with, and their use when correctly installed does not contravene, the Waterworks Ordinance and Regulations.

Name of Manufacturer: Carlo Nobili SpA Rubinetterie

Country of Origin: Italy

Brand: Nobili

Details of Fitting: 3/8" Single lever sink mixer

Model: FL96133CR, BS101113/1CR, BS101133CR



Body Markings: **NOBILIS**

Expiry Date: 28 November 2023

This Authority hereby permits the use of the above fittings in fresh water plumbing systems subject to full adherence to Waterworks installation requirements. In particular, you are required to draw your customers' attention to the following requirement-

"The cold water supply to the fittings shall be drawn from the same source that supplies the hot water apparatus so as to provide a balanced pressure and to obviate the risk of scalding in the event of a restriction or failure in the water supply."

A condition of this acceptance is that the fittings to be installed shall be replicas of the samples as certified by the testing agent mentioned above and without modifications. This acceptance may be withdrawn at any time if the standard of the fittings installed fail to meet that of the approved samples or if the fittings are found to be unsuitable for use in fresh water plumbing systems.

This acceptance is only applicable to the main body of the fittings, unless otherwise specified.

For the use of the fittings in any project, the General Acceptance Number of this letter must be quoted as a means of identification of acceptance of the fittings by this Authority.

Should you have any enquiries, please contact our Engineer Mr. Terry KUNG at tel. no. 3583 4086.

Yours faithfully,



(CHAN Chung-kun)

for Director of Water Supplies

Encl.

c.c. WSD 3321/1/82] - without catalogue
ME/MC] - with soft copy only